

L-864/L-865 (Red/White) LED Dual Flashing FAA Beacon

US Patent # 7,281,821. Other Patents Pending.

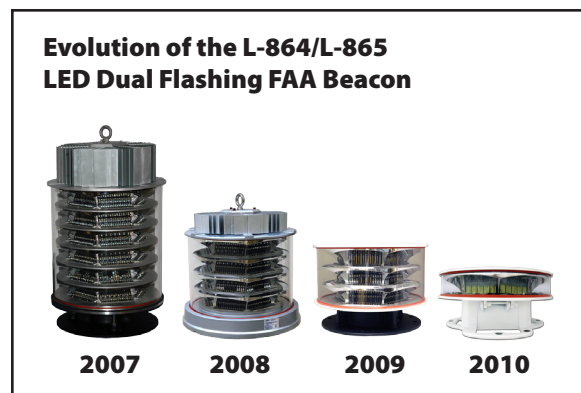


**Certified to: FAA AC NO: 150/5345-43F
FAA Engineering Brief No. 67**

Qualified By: Intertek ETL

**Compliant to:
ICAO Annex 14, 4th Edition, July 2004
ICAO Aerodromes Design Manual, Chapter 18
Canadian Aviation Regulation CAR 621.19
(Transport Canada)
DGAC Mexico**

The LED Medium Intensity Red and White Flashing FAA Beacon by Dialight is designed for the lighting of communication towers, smoke stacks, wind generators, and other obstructions to aerial navigation, as specified by the FAA and FCC. The L-864/L-865 dual beacon uses LED technology for light output from both the red and white beacons. Unlike conventional Xenon flashtube technology, little or no maintenance is required during its lifetime. With working voltages of less than 200VDC, which are significantly less than those of Xenon flashtube designs, this system represents an advance in safety. The L-864/L-865 LED dual beacon operates from a 48VDC supply. The power supply/control box can be located up to 550 ft away from the light engine, such as at the base of the tower.



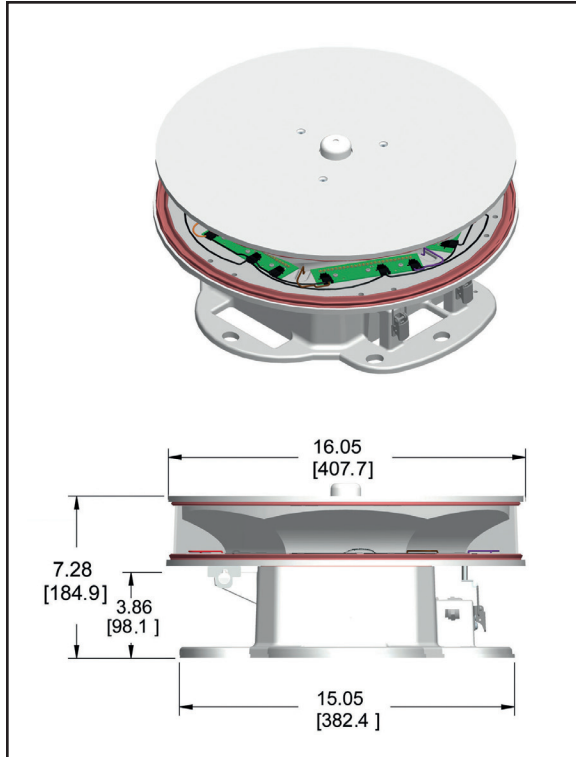
Features & Benefits

- **Industry's longest warranty.** Complete performance 5-year warranty (Xenon technology only 2 years).
- **All LED flash head.** 10+ years life expectancy. Resistant to shock and vibration. Reduces expensive tower climbs and maintenance costs/unplanned site visits.
- **No dangerous high voltage power supply.** Enables the use of low voltage flexible cable. Eliminates the need to send high voltage up a tower. Provides considerable safety advantages. Uses standard low voltage supply. Eliminates corrosion due to ozone effects.

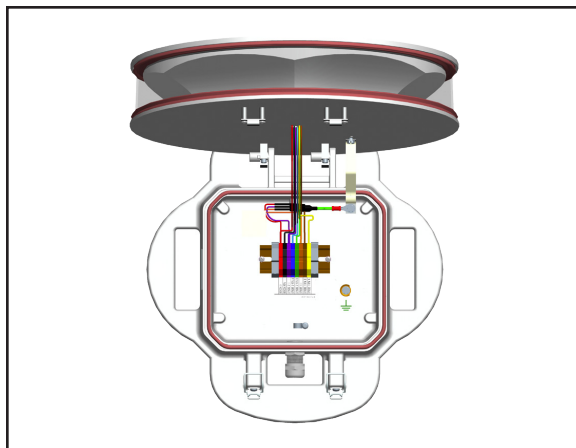
continued on back

L-864/L-865 (Red/White) LED Dual Flashing FAA Beacon

continued from front



Dimensions in Inches [mm]



Flip top design for simple installation

- **Excellent protection against lightning and surges.** Designed to withstand IEC61000-4-5, 6kV/3000A, 1.2/50s, 8/20s, 2 ohm output impedance, combination wave, line-line, and line-ground.
- **Smallest & lightest flash head in the industry.** Only 7.28" high, with significantly less wind loading than Xenon dual strobes. Weighs only 26 pounds, making it easy to handle and install.
- **Very precise optics (patented).** Community friendly lighting system with minimum ground scatter light.
- **Uses state-of-the-art high flux LED technology.** Replaces fragile, high maintenance Xenon tubes.
- **Eliminates RF blasts.** LED's do not produce the radio frequency interference that can interfere with cell networks as Xenon technology does.
- **IP66.** Completely sealed from outside environment.

Specifications

Flashhead Weight: 26 lbs

Operating Voltage: Universal 100/240 VAC 50/60H power factor corrected supply

Candela: White Day 20,000 cd
 White Night 2,000 cd
 Red Night 2,000 cd

Wattage: White Day 90W
 White Night 35W
 Red Night 25W

Power Factor: >0.9

Operating Temp: -40°F to +131°F (-40°C to +55°C)

Synchronization: Multiple unit sync from single controller. (Operates with other manufacturers of GPS sync devices.)

Order Codes

D1RW-C13-008 48 VDC FAA OEM

D1RW-C13-008-EU 100-240VAC, European Version